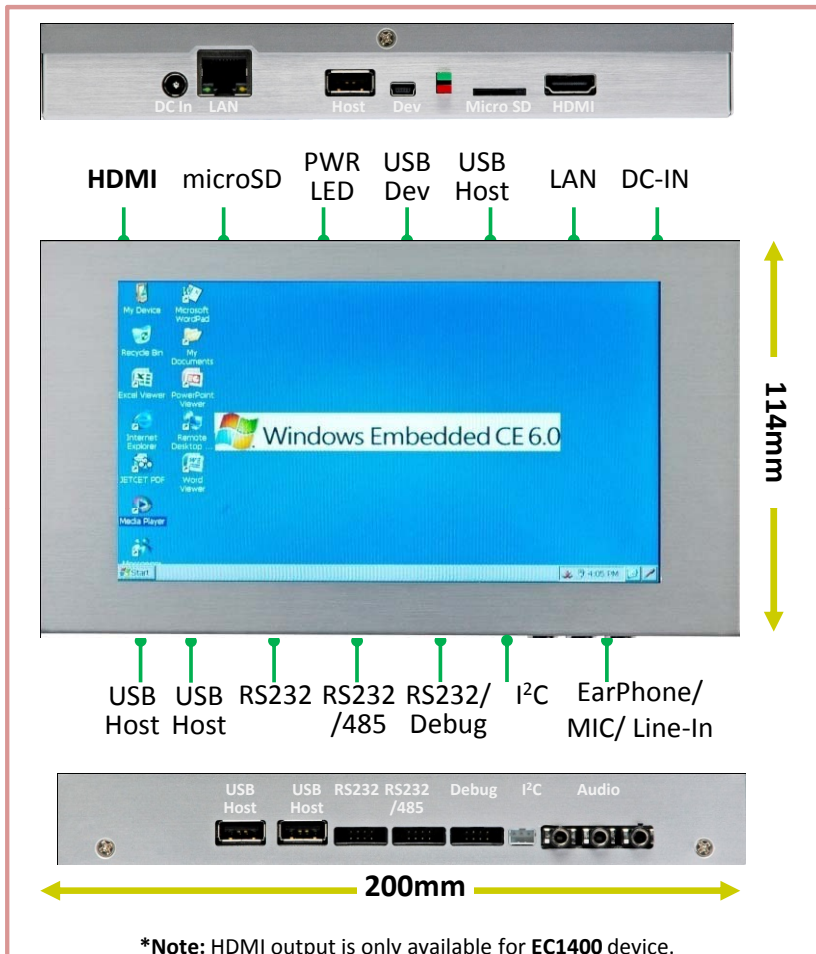


# EC1407

ARM11 Embedded Computer  
with 7" LCD, touch screen,  
1080p HDMI video output



## Features

- Product Models:
  - **EC1400**: No LCD
  - **EC1407**: 7" LCD with touch screen
- ARM1176JZF processor at 700Mhz speed
- MPEG1/2/4/H.264 video decoder up to 1080p performance
- H.264 video encoder up to 720p performance
- 7" LCD (800x480) display with 4-wire resistive touch screen (**EC1407 only**)
- Supports USB2.0/ USB1.1, SATA interface, Micro SD card storage interfaces
- RS232/RS485 interfaces
- Supported OS: Android 2.3, Linux 2.6, WinCE 6.0



## Specifications

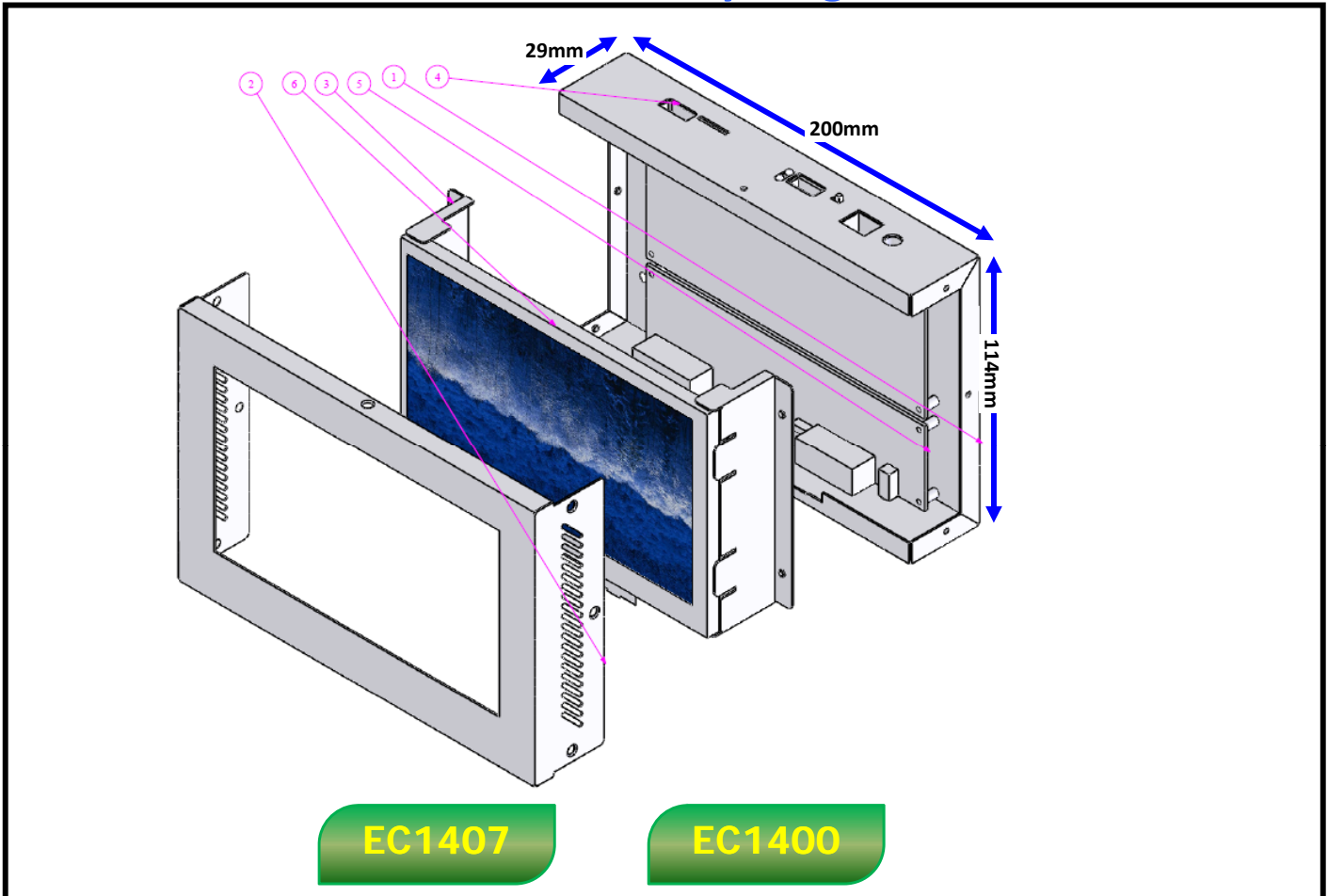
<b>CPU</b>	ARM1176JZF @ 700Mhz 16KB / 16KB cache 16KB / 16KB TCM
<b>DDR2</b>	256MB DDR2 SDRAM
<b>Flash</b>	512MB NAND Flash
<b>Display (EC1107 only)</b>	7" TFT LCD (800x480) 4-wire resistive touch screen
<b>HDMI</b>	1x HDMI 1.3 (up to 1920x1080) <b>(For EC1400 only)</b>
<b>Video File Supported</b>	3GP, 3G2 (H.263) MPG, VOB, TS, TP (MPEG1/2) AVI, MP4 (MPEG4) AVI, MP4, MOV, MKV (H.264)
<b>I/O interfaces</b>	1x MicroSD card holder 1x RJ45 connector (10/100 Ethernet) 1x Power LED, 1x User LED

<b>I/O interfaces</b>	2x USB1.1 host connectors 1x USB2.0 device connector 1x USB2.0 host connector 1x (2x5 pin header) for debug port (RS232) 1x (2x5 pin header) for RS232 port 1x (2x5 pin header) for RS232/RS485 port 1x I <sup>2</sup> C slave port connector 1x Head phone connector 1x MIC connector, 1x LINE-IN connector
<b>Network</b>	1x 10/100 Ethernet port
<b>OS Supported</b>	Android 2.3 / Linux 2.6 / WinCE 6.0
<b>Power Input</b>	DC +12V @ 4A
<b>Physical Dimension</b>	200mmx 114mmx 29mm (W x L x H)
<b>Weight</b>	approx. 420g
<b>Environment</b>	Operating temperatures: 0°C to 60°C

# EC1407

ARM11 Embedded Computer  
with 7" touch screen,  
1080p video output

## EC1407 Assembly Diagram



### Ordering Information:

#### EC14 Embedded Computer --

Part No.	Descriptions
EC1400NL	ARM1176 CPU, <b>NO LCD</b> , 256MB DDR2, 512MB NAND, 1x LAN, <b>Linux OS</b>
EC1400NA	ARM1176 CPU, <b>NO LCD</b> , 256MB DDR2, 512MB NAND, 1x LAN, <b>Android OS</b>
EC1400NC	ARM1176 CPU, <b>NO LCD</b> , 256MB DDR2, 512MB NAND, 1x LAN, <b>WinCE OS</b>
EC1407TL	ARM1176 CPU, <b>7" LCD w T/S</b> , 256MB DDR2, 512MB NAND, 1x LAN, <b>Linux OS</b>
EC1407TA	ARM1176 CPU, <b>7" LCD w T/S</b> , 256MB DDR2, 512MB NAND, 1x LAN, <b>Android OS</b>
EC1407TC	ARM1176 CPU, <b>7" LCD w T/S</b> , 256MB DDR2, 512MB NAND, 1x LAN, <b>WinCE OS</b>

#### EC14 Package Content :

1 x EC1400/EC1407 Embedded Computer  
1 x Power Adapter  
1 x pin header to DB9 Cable  
1 x CD (software, manual)



ACTRON AG • Posthalterring 18 • D-85599 Parsdorf • Tel.: +49 (0)89/991509-0 • Fax: +49 (0)89 991509-50  
service@actron.de http://www.actron.de